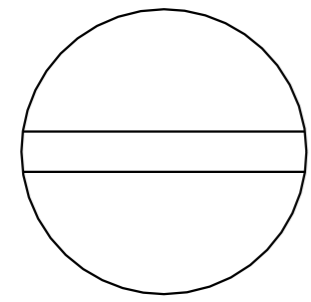
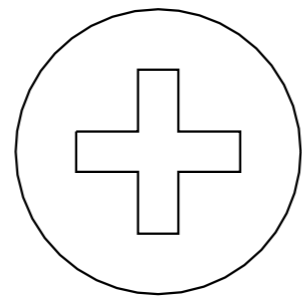


THIS DRAWING IS UNPUBLISHED. RELEASED FOR PUBLICATION
 BY AMP INCORPORATED. ALL RIGHTS RESERVED.

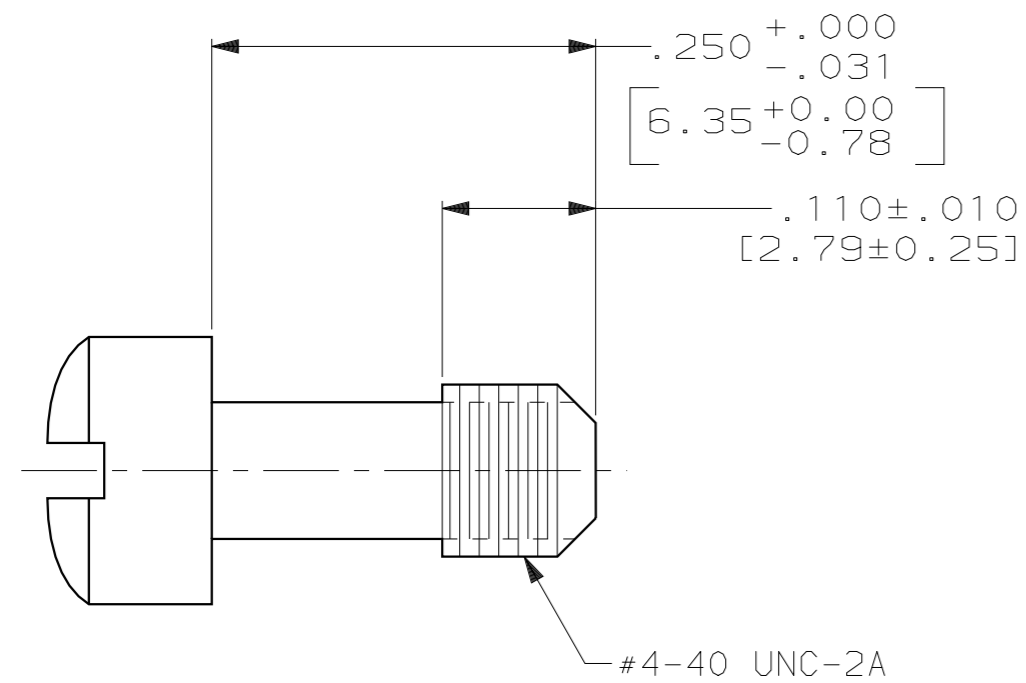
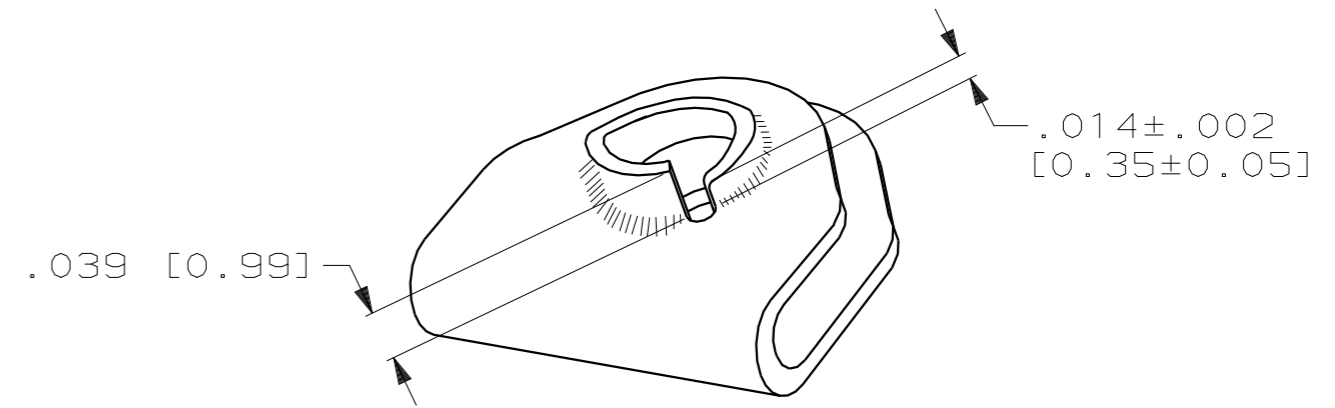
LOC	DIST	REVISIONS			
P	LTR	DESCRIPTION	DATE	DWN	APVD
DF	DO				
	E	REV PER 0G3D-0183-03	12-03	CT	DM



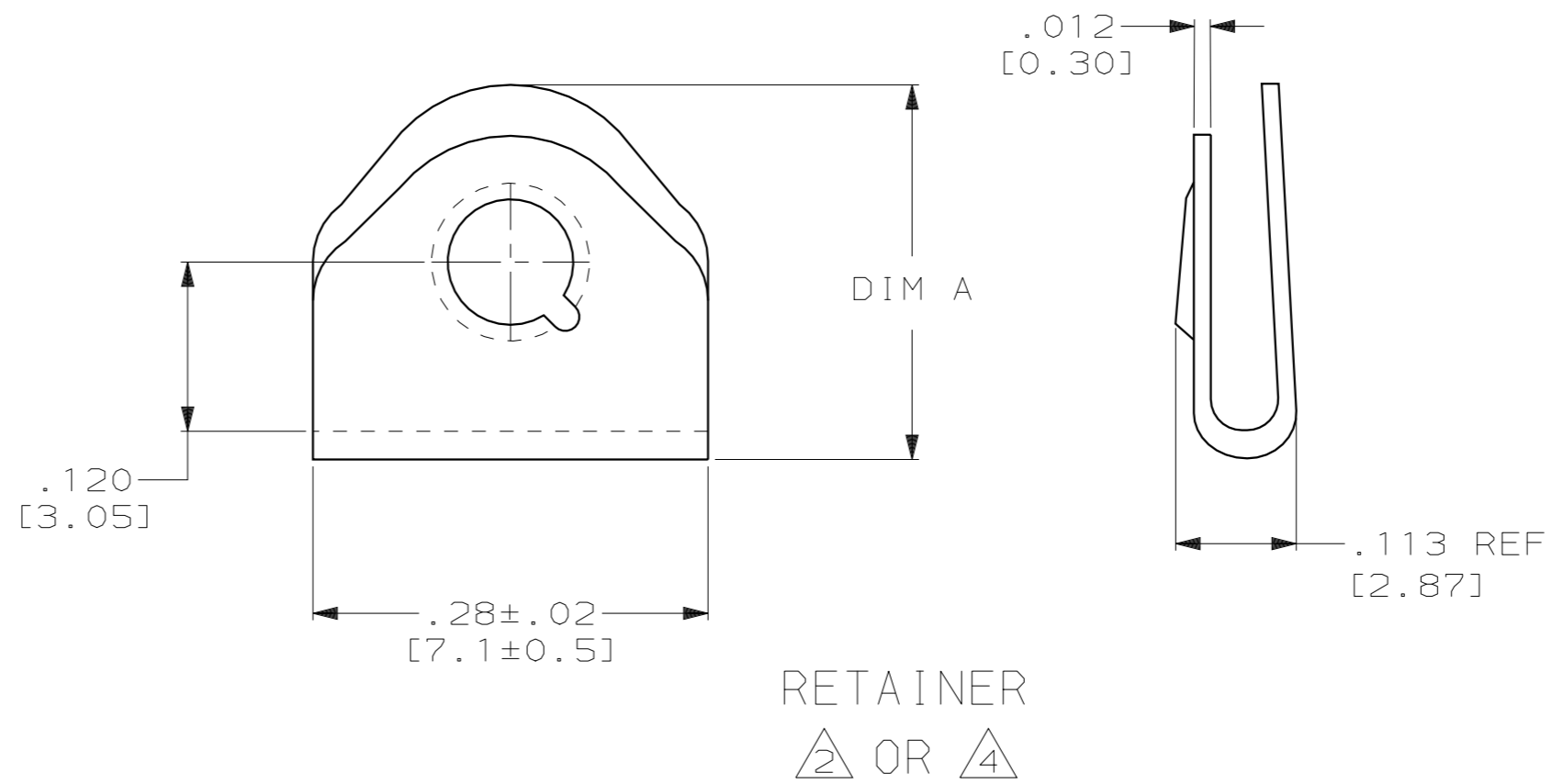
FILLISTER HEAD REF



PHILLIPS HEAD REF



SCREW, (TYPE; SEE TABLE)
 1 OR 3



RETAINER
 2 OR 4

- 1 MAT'L: STAINLESS STEEL PER ASTM-A-582
FINISH: PASSIVATED PER QQ-P-35
 - 2 MAT'L: STAINLESS STEEL PER QQ-5-766
FINISH: PASSIVATED PER QQ-P-35
 - 3 MAT'L: BRASS PER ASTM-B-16
FINISH: GOLD PLATE PER MIL-G-45204
OVER COPPER PER MIL-C-14550
 - 4 MAT'L: BeCu PER QQ-C-530
FINISH: GOLD PLATE PER MIL-G-45204
OVER COPPER PER MIL-C-14550
5. PARTS ARE PACKAGED UNASSEMBLED.

PHILLIPS HEAD	.240±.010 [6.10±0.25]	-	AS SHOWN 1 2	211883-7
FILLISTER HEAD	.240±.010 [6.10±0.25]	-	AS SHOWN 1 2	211883-6
FILLISTER HEAD	.265±.015 [6.73±0.38]	M24308/25-6P	AS SHOWN 1 2	211883-5
FILLISTER HEAD	.265±.015 [6.73±0.38]	-	AS SHOWN 3 4	211883-1
SCREW HEAD TYPE	DIM A	MILITARY PART NO	DESCRIPTION	PART NO.

THIS DRAWING IS A CONTROLLED DOCUMENT.

DWN	C.C. THOMAS	2-11-03	 TYCO Electronics Harrisburg, PA 17105-3608
CHK	D. MILLER	2-11-03	
APVD	D. MILLER	2-11-03	
NAME			
DIMENSIONS:	TOLERANCES UNLESS OTHERWISE SPECIFIED:	PRODUCT SPEC	
INCHES [mm]	0 PLC ±-	-	
	1 PLC ±-	APPLICATION SPEC	
	2 PLC ±-	-	
	3 PLC ±.005 [0.13]	WEIGHT	
	4 PLC ±-	-	
	ANGLES ±-	SCALE 8:1	
MATERIAL	FINISH	SHEET 1 OF 1	
SEE CALLOUTS	SEE CALLOUTS	REV E	

CUSTOMER DRAWING